

## PANEL MOUNT COUPLING BODY ( NON VALVED)

Part #: **VCM1603**

Connection Type: Hose Barb

Material: Brass

Material Finish: Chrome Plated

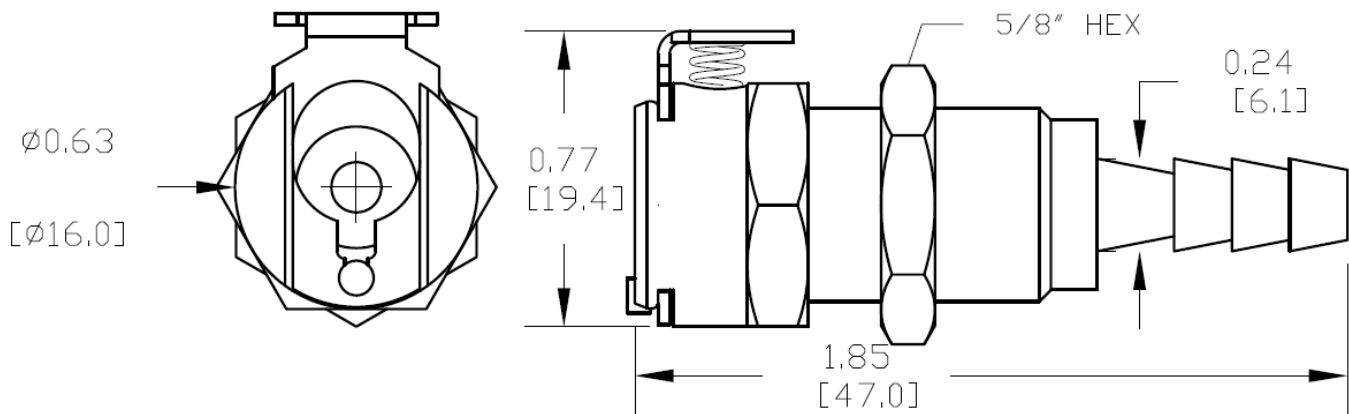
Pressure Range: Vacuum to 250 psi, 17.3 bar

Temp. Range: -40°F to 180°F (-40°C to 82°C)

Mounting Option: Panel Mount

Size: 3/16" ID (4.8mm ID)

Valve Option: Non-Valve



### Components:

Main Body: Chrome Plated Brass

Thumb Latch: Stainless Steel

External Spring: Stainless Steel